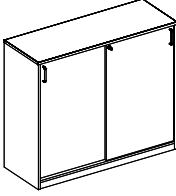


# SLIDING DOOR CABINETS

width 120 cm

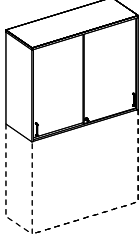
depth 44.5 cm

		<div style="border: 1px solid black; padding: 2px; display: inline-block;"> <div style="border-bottom: 1px solid black; width: 10px; height: 10px; margin-bottom: 2px;"></div>                     ... back - HDF 2,5 mm                 </div> <div style="border: 1px solid black; padding: 2px; display: inline-block;">                     M                 </div> ... back chipboard 12 mm			
			<b>HEIGHT</b>		<b>melamine +1</b>
<b>W N I</b>	<b>S S 1 2 1 N</b>		1,5 OH (72 cm)		190,-
<b>W N I</b>	<b>S S 1 2 1 N M</b>				198,-
<b>W N I</b>	<b>S S 1 2 2 N</b>		2 OH (82,5 cm)		197,-
<b>W N I</b>	<b>S S 1 2 2 N M</b>				209,-
<b>W N I</b>	<b>S S 1 2 3 N</b>		3 OH (115,5 cm)		237,-
<b>W N I</b>	<b>S S 1 2 3 N M</b>				253,-
<b>W N I</b>	<b>S S 1 2 4 N</b>		4 OH (154,5 cm)		286,-
<b>W N I</b>	<b>S S 1 2 4 N M</b>				322,-

# UPPER – SLIDING DOOR CABINETS

width 120 cm

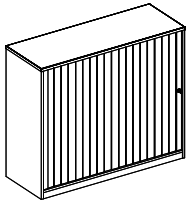
depth 44.5 cm

		<div style="border: 1px solid black; padding: 2px; display: inline-block;"> <div style="border-bottom: 1px solid black; width: 10px; height: 10px; margin-bottom: 2px;"></div>                     ... back - HDF 2,5 mm                 </div> <div style="border: 1px solid black; padding: 2px; display: inline-block;">                     M                 </div> ... back chipboard 12 mm			
			<b>HEIGHT</b>		
<b>W N I</b>	<b>S A S 1 2 2 N</b>		2 OH (74 cm)		179,-
<b>W N I</b>	<b>S A S 1 2 2 N M</b>				189,-
<b>W N I</b>	<b>S A S 1 2 3 N</b>		3 OH (107 cm)		218,-
<b>W N I</b>	<b>S A S 1 2 3 N M</b>				235,-

# TAMBOUR CABINETS

width 120 cm

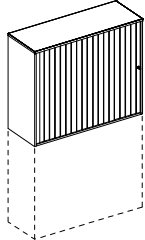
depth 44.5 cm

		<div style="border: 1px solid black; padding: 2px; display: inline-block;"> <div style="border-bottom: 1px solid black; width: 10px; height: 10px; margin-bottom: 2px;"></div>                     ... back - HDF 2,5 mm                 </div> <div style="border: 1px solid black; padding: 2px; display: inline-block; margin-top: 2px;">                     M                     <div style="border-bottom: 1px solid black; width: 10px; height: 10px; margin-top: 2px;"></div>                     ... back chipboard 12 mm                 </div>			
			<b>HEIGHT</b>		<b>melamine +1</b>
<b>W N I</b>	<b>S T 1 2 1 N</b>		1,5 OH (72 cm)		231,-
<b>W N I</b>	<b>S T 1 2 1 N M</b>				246,-
<b>W N I</b>	<b>S T 1 2 2 N</b>		2 OH (82,5 cm)		245,-
<b>W N I</b>	<b>S T 1 2 2 N M</b>				265,-
<b>W N I</b>	<b>S T 1 2 3 N</b>		3 OH (115,5 cm)		307,-
<b>W N I</b>	<b>S T 1 2 3 N M</b>				335,-
<b>W N I</b>	<b>S T 1 2 4 N</b>		4 OH (154,5 cm)		393,-
<b>W N I</b>	<b>S T 1 2 4 N M</b>				454,-

# UPPER – TAMBOUR CABINETS

width 120 cm

depth 44.5 cm

		<div style="border: 1px solid black; padding: 2px; display: inline-block;"> <div style="border-bottom: 1px solid black; width: 10px; height: 10px; margin-bottom: 2px;"></div>                     ... back - HDF 2,5 mm                 </div> <div style="border: 1px solid black; padding: 2px; display: inline-block; margin-top: 2px;">                     M                     <div style="border-bottom: 1px solid black; width: 10px; height: 10px; margin-top: 2px;"></div>                     ... back chipboard 12 mm                 </div>			
			<b>HEIGHT</b>		
<b>W N I</b>	<b>S A T 1 2 2 N</b>		2 OH (74 cm)		226,-
<b>W N I</b>	<b>S A T 1 2 2 N M</b>				245,-
<b>W N I</b>	<b>S A T 1 2 3 N</b>		3 OH (107 cm)		288,-
<b>W N I</b>	<b>S A T 1 2 3 N M</b>				315,-



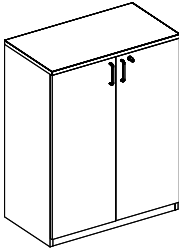


# HINGED DOOR CABINETS

width 80 cm

depth 44.5 cm

										HEIGHT		melamine +1
										... back - HDF 2,5 mm		
										... back chipboard 12 mm		
W	N	I	S	W	0	8	1	N		1,5 OH (72 cm)		119,-
W	N	I	S	W	0	8	1	N	M	2 OH (82,5 cm)		124,-
W	N	I	S	W	0	8	2	N		3 OH (115,5 cm)		123,-
W	N	I	S	W	0	8	2	N	M	4 OH (154,5 cm)		130,-
W	N	I	S	W	0	8	3	N		5 OH (189,5 cm)		149,-
W	N	I	S	W	0	8	3	N	M	6 OH (222,5 cm)		161,-
W	N	I	S	W	0	8	4	N				184,-
W	N	I	S	W	0	8	4	N	M			210,-
W	N	I	S	W	0	8	5	N				236,-
W	N	I	S	W	0	8	5	N	M			260,-
W	N	I	S	W	0	8	6	N				265,-
W	N	I	S	W	0	8	6	N	M			288,-
										... melamine chipboard shelf		
										... metal shelf <b>surcharge 5,- EUR</b>		

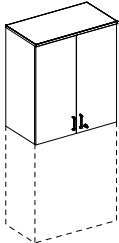


# UPPER – HINGED DOOR CABINETS

width 80 cm

depth 44.5 cm

										HEIGHT			
										... melamine chipboard shelf			
										... metal shelf <b>surcharge 5,- EUR</b>			
										... back - HDF 2,5 mm			
										... back chipboard 12 mm			
W	N	I	S	A	W	0	8	2	N	2 OH (74 cm)		112,-	
W	N	I	S	A	W	0	8	2	N	M	3 OH (107 cm)		121,-
W	N	I	S	A	W	0	8	3	N			139,-	
W	N	I	S	A	W	0	8	3	N	M			150,-

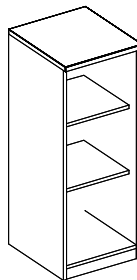


# OPEN CABINETS

width 40 cm

depth 44.5 cm

			... back - HDF 2,5 mm		melamine +1
			M ... back chipboard 12 mm		
				<b>HEIGHT</b>	
W N I	S N O 4 1 N			1,5 OH (72 cm)	67,-
W N I	S N O 4 1 N M				69,-
W N I	S N O 4 2 N			2 OH (82,5 cm)	69,-
W N I	S N O 4 2 N M				74,-
W N I	S N O 4 3 N			3 OH (115,5 cm)	86,-
W N I	S N O 4 3 N M				90,-
W N I	S N O 4 4 N			4 OH (154,5 cm)	102,-
W N I	S N O 4 4 N M				112,-
W N I	S N O 4 5 N			5 OH (189,5 cm)	125,-
W N I	S N O 4 5 N M				135,-
W N I	S N O 4 6 N			6 OH (222,5 cm)	139,-
W N I	S N O 4 6 N M				148,-

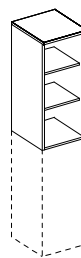


# UPPER – OPEN CABINETS

width 40 cm

depth 44.5 cm

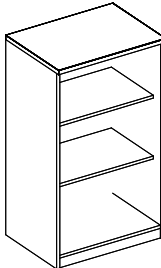
			... back - HDF 2,5 mm		
			M ... back chipboard 12 mm		
				<b>HEIGHT</b>	
W N I	S A N O 4 2 N			2 OH (74 cm)	62,-
W N I	S A N O 4 2 N M				65,-
W N I	S A N O 4 3 N			3 OH (107 cm)	79,-
W N I	S A N O 4 3 N M				83,-



# OPEN CABINETS

width 60 cm

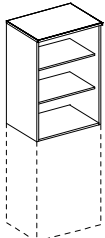
depth 44.5 cm

					melamine +1
			—	... back - HDF 2,5 mm	
			M	... back chipboard 12 mm	
			<b>HEIGHT</b>		
W N I	S N 0 6 1 N		1,5 OH (72 cm)		76,-
W N I	S N 0 6 1 N M				80,-
W N I	S N 0 6 2 N		2 OH (82,5 cm)		79,-
W N I	S N 0 6 2 N M				84,-
W N I	S N 0 6 3 N		3 OH (115,5 cm)		97,-
W N I	S N 0 6 3 N M				104,-
W N I	S N 0 6 4 N		4 OH (154,5 cm)		117,-
W N I	S N 0 6 4 N M				133,-
W N I	S N 0 6 5 N		5 OH (189,5 cm)		144,-
W N I	S N 0 6 5 N M				160,-
W N I	S N 0 6 6 N		6 OH (222,5 cm)		161,-
W N I	S N 0 6 6 N M				175,-

# UPPER – OPEN CABINETS

width 60 cm

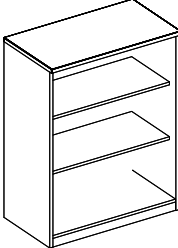
depth 44.5 cm

			—	... back - HDF 2,5 mm	
			M	... back chipboard 12 mm	
			<b>HEIGHT</b>		
W N I	S A N 0 6 2 N		2 OH (74 cm)		70,-
W N I	S A N 0 6 2 N M				76,-
W N I	S A N 0 6 3 N		3 OH (107 cm)		87,-
W N I	S A N 0 6 3 N M				95,-

# OPEN CABINETS

width 80 cm

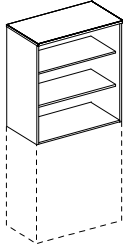
depth 44.5 cm

		<div style="display: flex; align-items: center;"> <div style="border: 1px solid black; width: 15px; height: 15px; margin-right: 5px;"></div> <div style="font-size: 8px; margin-right: 5px;">M</div> <div style="font-size: 8px;">... back - HDF 2,5 mm ... back chipboard 12 mm</div> </div>	HEIGHT		melamine +1
W N I	S N 0 8 1 N		1,5 OH (72 cm)		85,-
W N I	S N 0 8 1 N M				90,-
W N I	S N 0 8 2 N		2 OH (82,5 cm)		87,-
W N I	S N 0 8 2 N M				96,-
W N I	S N 0 8 3 N		3 OH (115,5 cm)		106,-
W N I	S N 0 8 3 N M				118,-
W N I	S N 0 8 4 N		4 OH (154,5 cm)		129,-
W N I	S N 0 8 4 N M				155,-
W N I	S N 0 8 5 N		5 OH (189,5 cm)		155,-
W N I	S N 0 8 5 N M				180,-
W N I	S N 0 8 6 N		6 OH (222,5 cm)		175,-
W N I	S N 0 8 6 N M				197,-

# UPPER – OPEN CABINETS

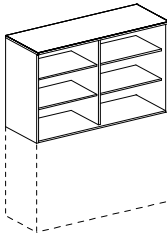
width 80 cm

depth 44.5 cm

		<div style="display: flex; align-items: center;"> <div style="border: 1px solid black; width: 15px; height: 15px; margin-right: 5px;"></div> <div style="font-size: 8px; margin-right: 5px;">M</div> <div style="font-size: 8px;">... back - HDF 2,5 mm ... back chipboard 12 mm</div> </div>	HEIGHT		
W N I	S A N 0 8 2 N		2 OH (74 cm)		78,-
W N I	S A N 0 8 2 N M				86,-
W N I	S A N 0 8 3 N		3 OH (107 cm)		97,-
W N I	S A N 0 8 3 N M				109,-

width 120 cm

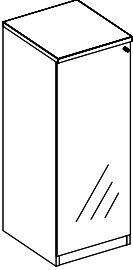
depth 44.5 cm

		<div style="display: flex; align-items: center;"> <div style="border: 1px solid black; width: 15px; height: 15px; margin-right: 5px;"></div> <div style="font-size: 8px; margin-right: 5px;">M</div> <div style="font-size: 8px;">... back - HDF 2,5 mm ... back chipboard 12 mm</div> </div>	HEIGHT		
W N I	S A N 1 2 2 N		2 OH (74 cm)		112,-
W N I	S A N 1 2 2 N M				123,-
W N I	S A N 1 2 3 N		3 OH (107 cm)		142,-
W N I	S A N 1 2 3 N M				159,-

# GLASS DOOR CABINETS

width 40 cm

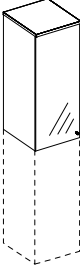
depth 44.5 cm

				... back - HDF 2,5 mm ... back chipboard 12 mm				melamine + 1			
				<b>HEIGHT</b>							
W	N	I	S	G	0	4	2	L		125,-	
W	N	I	S	G	0	4	2	L		M	128,-
W	N	I	S	G	0	4	3	L		154,-	
W	N	I	S	G	0	4	3	L		M	160,-
W	N	I	S	G	0	4	4	L		194,-	
W	N	I	S	G	0	4	4	L		M	205,-
				... left ... right					* left version on the drawing		

# UPPER – GLASS DOOR CABINETS

width 40 cm

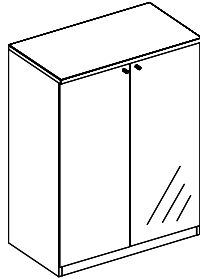
depth 44.5 cm

				... back - HDF 2,5 mm ... back chipboard 12 mm								
				<b>HEIGHT</b>								
W	N	I	S	A	G	0	4	2	L		116,-	
W	N	I	S	A	G	0	4	2	L		M	119,-
W	N	I	S	A	G	0	4	3	L		145,-	
W	N	I	S	A	G	0	4	3	L		M	150,-
				... left ... right					* left version on the drawing			

# GLASS DOOR CABINETS

width 80 cm

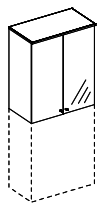
depth 44.5 cm

			HEIGHT		melamine +1
		<div style="display: flex; align-items: center;"> <div style="border: 1px solid black; padding: 2px; margin-right: 5px;">—</div> <div>... back - HDF 2,5 mm</div> </div> <div style="display: flex; align-items: center;"> <div style="border: 1px solid black; padding: 2px; margin-right: 5px;">M</div> <div>... back chipboard 12 mm</div> </div>			
W N I	S G 0 8 2 N		2 OH (82,5 cm)		203,-
W N I	S G 0 8 2 N M				211,-
W N I	S G 0 8 3 N		3 OH (115,5 cm)		250,-
W N I	S G 0 8 3 N M				264,-
W N I	S G 0 8 4 N		4 OH (154,5 cm)		324,-
W N I	S G 0 8 4 N M				353,-

# UPPER – GLASS DOOR CABINETS


width 80 cm

depth 44.5 cm

			HEIGHT		
		<div style="display: flex; align-items: center;"> <div style="border: 1px solid black; padding: 2px; margin-right: 5px;">—</div> <div>... back - HDF 2,5 mm</div> </div> <div style="display: flex; align-items: center;"> <div style="border: 1px solid black; padding: 2px; margin-right: 5px;">M</div> <div>... back chipboard 12 mm</div> </div>			
W N I	S A G 0 8 2 N		2 OH (74 cm)		189,-
W N I	S A G 0 8 2 N M				198,-
W N I	S A G 0 8 3 N		3 OH (107 cm)		238,-
W N I	S A G 0 8 3 N M				251,-

# DRAWER CABINETS

width 80 cm, depth 44.5 cm


			HEIGHT		
W N I	S D 0 8 2 M		2 OH (82,5 cm)		436,-
W N I	S D 0 8 3 M		3 OH (115,5 cm)		591,-

back - chipboard 16 mm

# WARDROBE CABINETS

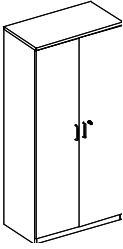
width 60 cm

depth 44.5 cm

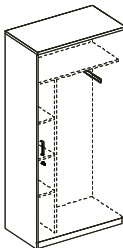
				... back - HDF 2,5 mm ... back chipboard 12 mm				melamine +1			
				<b>HEIGHT</b>							
W	N	I	S	U	0	6	5	L	5 OH (189,5 cm)		177,-
W	N	I	S	U	0	6	5	L	M		193,-
W	N	I	S	U	0	6	6	L	6 OH (222,5 cm)		194,-
W	N	I	S	U	0	6	6	L	M		209,-
				<div style="border: 1px solid black; padding: 2px; display: inline-block;">L</div> ... left <div style="border: 1px solid black; padding: 2px; display: inline-block;">R</div> ... right							

\* left version on the drawing

width 80 cm  
depth 44.5 cm

				... back - HDF 2,5 mm ... back chipboard 12 mm							
				<b>HEIGHT</b>							
W	N	I	S	U	0	8	5	N	5 OH (189,5 cm)		208,-
W	N	I	S	U	0	8	5	N	M		232,-
W	N	I	S	U	0	8	6	N	6 OH (222,5 cm)		226,-
W	N	I	S	U	0	8	6	N	M		249,-

width 80 cm  
depth 44.5 cm

				... back - HDF 2,5 mm ... back chipboard 12 mm								
				<b>HEIGHT</b>								
W	N	I	S	U	P	0	8	5	N	5 OH (189,5 cm)		261,-
W	N	I	S	U	P	0	8	5	N	M		286,-
W	N	I	S	U	P	0	8	6	N	6 OH (222,5 cm)		284,-
W	N	I	S	U	P	0	8	6	N	M		306,-